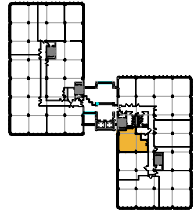
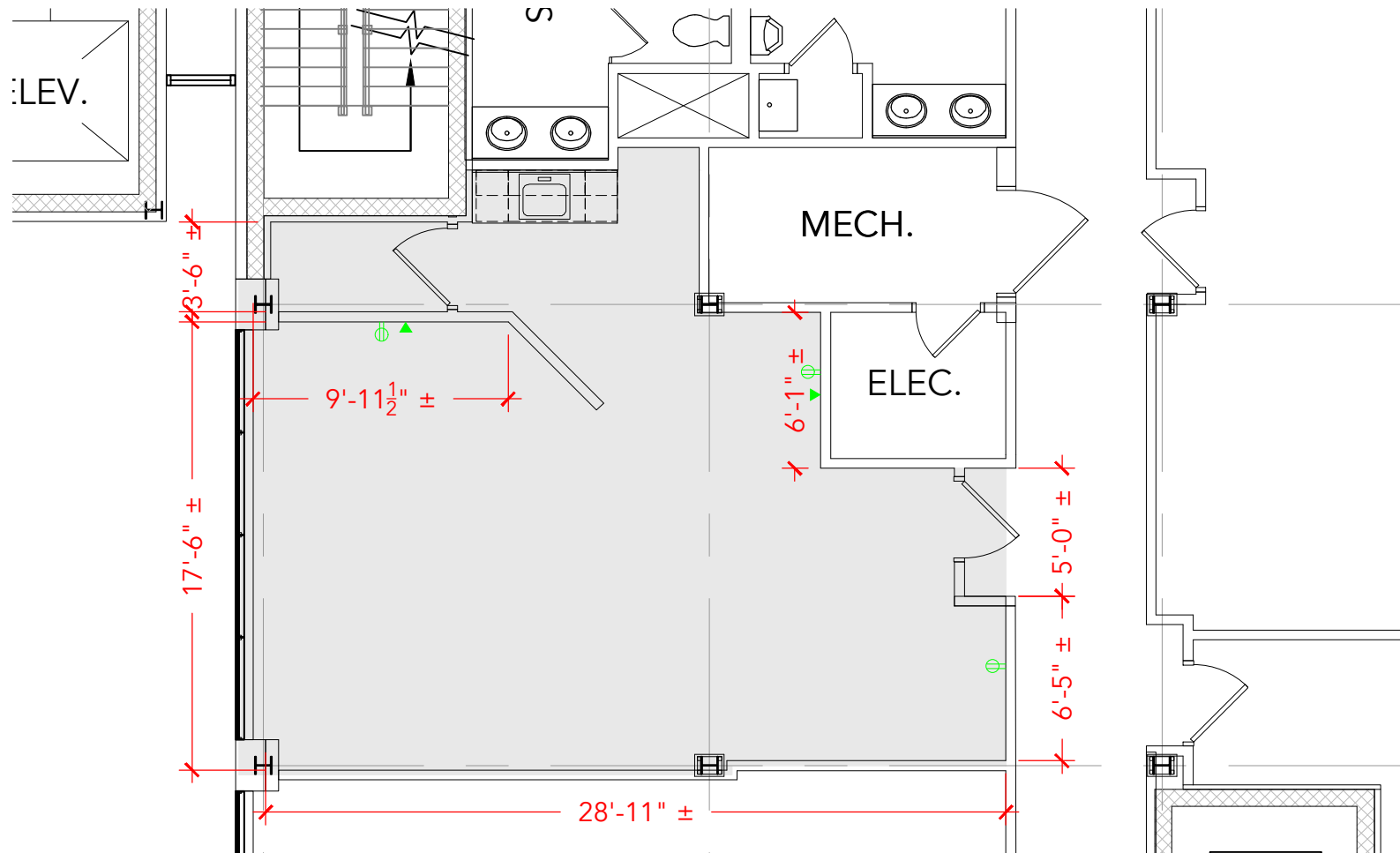


TOTAL SF AVAILABLE - 651 RSF(12.6%)

[Click to access CADD file](#)



Key Plan



Floor Plan